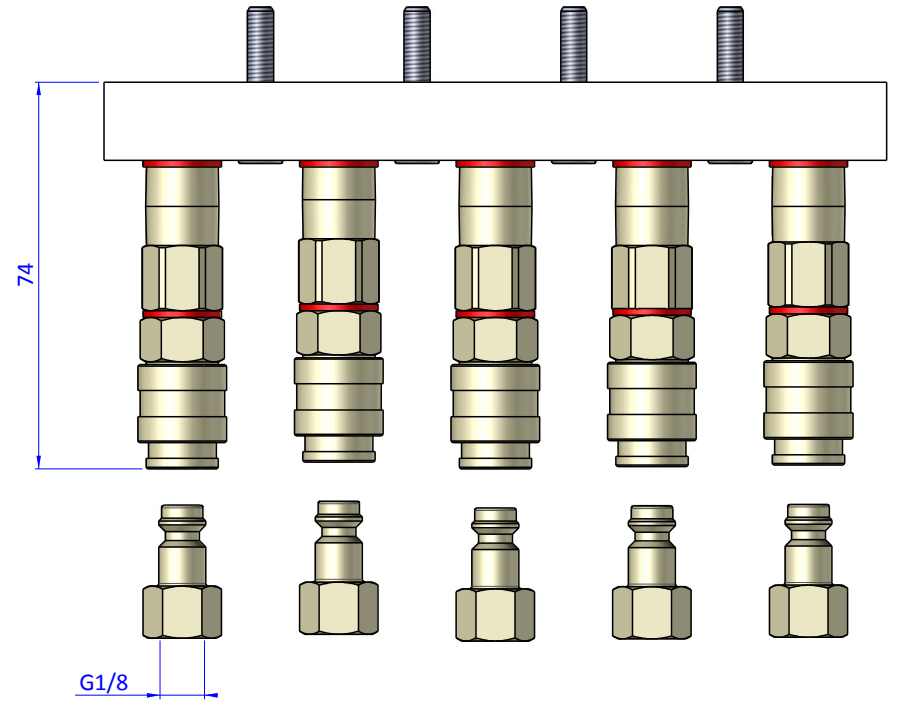
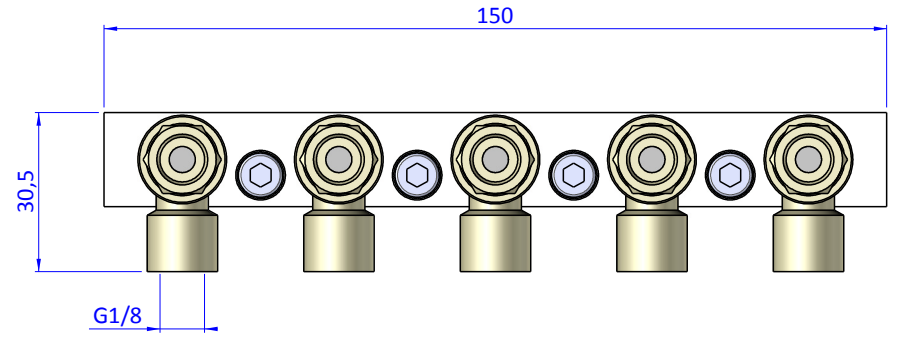
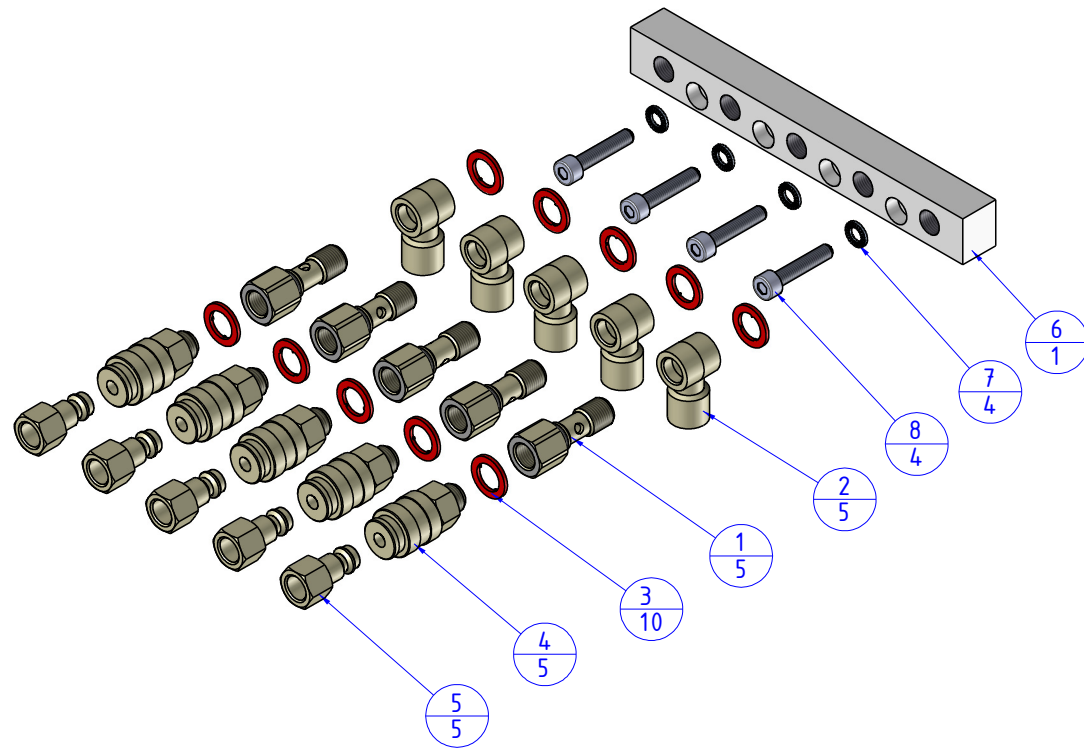



THE PROPERTY OF THE DRAWING IS ESTABLISHED BY LAW. IT IS FORBIDDEN TO PRODUCE OR SHOW IT TO THIRD PARTY, WITHOUT A WRITTEN AGREEMENT.

Item	Name	Qty.
1	CA.01.08.003	5
2	CA.01.08.004	5
3	CA.08.09.18	10
4	CA.12.06.001	5
5	CA.12.06.005	5
6	LAL.2.5	1
7	R.5.SCH	4
8	V.TCE5x25	4



Format A3
UNI 936-76

 FPS FPSERVICES AUTOMATION		DESIGNED FROM	REVIEW
		FPS Automation	A
GENERAL TOLERANCE UNI - ISO 2768 CLASSE F		DATE	WEIGHT
		25/07/2019	0,629kg
DESCRIPTION		CODE	
CALAL.2.5		CA.LAL.2.5	